



Instruction Manual 462
A/C 45 Degree CA-C/CA-T
Revised 10/2018

D/F MACHINE SPECIALTIES, INC.

MIG & TIG Welding Products, Consumables & Accessories

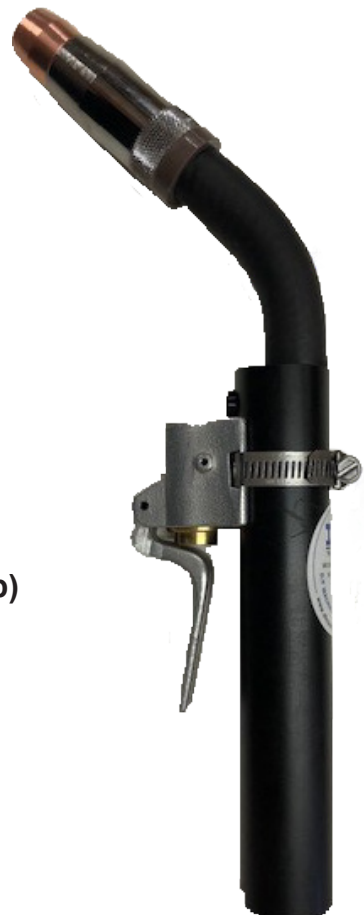
1750 Howard Drive, North Mankato, MN 56003

Phone: (507) 625-6200 Fax: (507) 625-6203

Email: sales@dfmachinespecialties.com

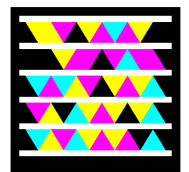
www.dfmachinespecialties.com

AIR-COOLED CURVED GUN



**45° Curved Torch - Series 400
with Single Mode Trigger Switch**

**Model CA-C (Slip-in Current Tip)
Model CA-T (Threaded Current Tip)**



INSTRUCTION, PARTS & SPECIFICATIONS MANUAL

D/F MACHINE SPECIALTIES is a world leader in the design, development, and manufacture of “MIG” (GMAW) & “TIG” (GTAW) welding products, consumables and accessories. D/F offers several types of manual Air or Water-Cooled “MIG” welding tools, and with the increased use of automated and robotic welding systems, a demand has been created for welding tools of the highest quality, durability and interchangeability. For over forty years, D/F welding products have been used extensively on “MIG” and “TIG” welding applications. This experience, coupled with patented design features, unavailable on any other competitive equipment, has made D/F welding tools the most advanced “MIG” and “TIG” welding guns and barrels for semi-automatic, automatic or robotic welding applications.

This Catalog is a guide to helping you select the proper tool for a given semi-automatic, automatic or robotic welding application. The following is only a partial listing of available semi-automatic, automatic and robotic guns. For further information on special “MIG” and “TIG” requirements, please consult the factory.

Customer satisfaction and customer benefits are the center points of all strategic contents

The spirit of the D/F Machine Specialties personnel is to listen to and to integrate the customer throughout the process, to develop and design marketable products, to present prototypes, to carry out pilot tests and to prepare for and be open to new technology and tasks. We attract and carefully select talented individuals who share our values. Together we will nurture and sustain a work environment with two-way communication, training, mentoring, and rewarding career opportunities.

Innovation and quality

Innovation and quality come from being receptive and willing to learn from others. We encourage our people to be creative and take risks in the pursuit of excellence. Innovative practices are deeply rooted in every one of our employees, a philosophy that leads to continuous product development and industry firsts.

Progress

By remaining confident, focused, and persistent in challenging times, we will discover opportunity. Commitment to quality and the pursuit on innovation ensure that D/F Machine Specialties will remain an industry leader for years to come.

Commitment to excellence

At D/F Machine Specialties we commit to design, build and deliver premium products and superior customer support to quality driven welding professionals. Customers still to this day choose D/F over competitors because of our responsiveness and flexibility. Customers will continue to choose D/F tomorrow for our superior hand-made products and service. To ensure this, we need creative and competent personnel in all business divisions, an intensive exchange of thoughts and ideas with all users, participation in working and study groups within the field of welding technology and intensive cooperation with institutes and universities.

Teamwork

Striving for excellence is a commitment that is an integral component of the D/F Culture. Our team of skilled and dedicated employees takes pride in the excellence products they produce. Each of us willingly accepts personal responsibility for meeting our commitments and we hold each other to a high standard of accountability.

Responsibility

We will continually strive to be environmentally responsible and to support the health and safety of our employees, customers, and neighbors. We continue to support the communities in which we operate and the industries in which we participate.

Thank You for Choosing D/F Machine Specialties



TABLE OF CONTENTS

Safety, (Table 1) Model Specifications.....	4
Introduction, (Table 2) Current Tips	5
Required Tools List for Disassembly & Assembly.....	6-7
How Do I Cut, Fit, and Install a New Liner?.....	8
What is the Proper Use of the Nozzle Thread Chaser Tap?.....	9
Disassembly, Assembly	10
Air-Cooled Curved 45° Gun w/ Nozzle Body 13197 - Parts	11
Air-Cooled Curved 45° Gun Gasless - Parts	12
(Table 3) Gas Nozzles, (Table 4) Liners, (Table 5) Casings, (Table 6) Recommended Spare Parts	13
Casings, Liners, & Hose Assemblies.....	14
Body Liners, Fitting Replaceable Liners	15
(Table 7) Switch & Cable Assemblies	16
Utility Station - Air-Cooled Barrels	17
Wire Feeder Adapters & Inlets.....	18
Troubleshooting	19-22

SAFETY MEASURES - **PLEASE READ!**

Welding is not particularly hazardous when certain safety practices are followed. Anyone using this equipment should be thoroughly trained in safe welding practices. Failure to observe safe practices may cause serious injury. Handling welding torches presents no danger if the appropriate safety regulations are strictly adhered to. For example:

- Starting-up procedures must be reserved for those fully conversant with processes relating to arc welding equipment.
- Arc welding can prove damaging to eyes, skin, and hearing! It is therefore imperative that the Accident Prevention Regulations UVV 26.0 and VGB 15 are fully observed and that all protective clothing, eye and ear protectors specified are worn.
- The load data given are maximum limit figures. Overloading will inevitably damage the torch!
- Before changing wear parts, disconnect for the power supply.
- The operating instructions for the individual welding components - e.g. power source, wire feed and cooling unit must be followed.
- Never pull the cable assembly across sharp edges or set down close to weld spatter or on a hot workpiece.
- Those not involved in the welding process should be protected by curtains or partitions from radiation and the danger of being dazzled.
- When handling gas cylinders, consult the instructions issued by the manufacturers and the suppliers of the pressurized gas.
- Workpieces which have been degreased using chlorinated solvents must be sprayed down with clean water before welding starts to avoid the risk of phosgene forming. For the same reason, no degreasing baths containing chlorine must be placed close to the welding point.
- All vapors given off by metals can cause harm and a special warning is attached to lead, cadmium, copper, zinc, and beryllium. If necessary, take appropriate precautions (by providing adequate ventilation or an extraction system) to ensure that the legal maximum levels of toxic concentrations are not exceeded.

For more information, refer to the following standards in their latest revisions and comply as applicable.

- ANSI Standard Z49.1, SAFETY IN WELDING AND CUTTING obtainable from the American Welding Society, 2501 N.W. 7th St., Miami, FL 33125.
- ANSI Standard Z41.1, STANDARD FOR MEN'S SAFETY - TOE FOOTWEAR obtainable from the American National Standards Institute, 1430 Broadway, New York, NY 10018.
- ANSI Standard Z49.2, FIRE PREVENTION IN THE USE OF CUTTING AND WELDING PROCESSES obtainable from the American National Standards Institute, 1430 Broadway, New York, NY 10018.
- OSHA, SAFETY AND HEALTH STANDARDS, 29CRF 1910, obtainable from the U.S. Government Printing Office, Washington, D.C. 20402.
- AWS Standard A6.0, WELDING AND CUTTING CONTAINERS WHICH HAVE HELD COMBUSTIBLES obtainable from the American Welding Society, 2501 N.W. 7th St., Miami, FL 33125.
- NFPA Standard 70-1978, NATIONAL ELECTRICAL CODE obtainable from the National Fire Protection Association, 470 Atlantic Avenue, Boston, MA 02210.
- ANSI Standard Z88.2, "Practice for Respiratory Protection" obtainable from the American National Standards Institute, 1430 Broadway, New York, NY 10018.
- ANSI Standard Z87.1, SAFE PRACTICES FOR OCCUPATION AND EDUCATIONAL EYE AND FACE PROTECTION obtainable from the American National Standards Institute, 1430 Broadway, New York, NY, 10018.
- NIOSH, SAFETY AND HEALTH IN ARC WELDING AND GAS WELDING AND CUTTING obtainable from the Superintendent of Documents, U.S. Printing Office, Washington, D.C. 20402.
- American Welding Society Standard AWSF4.1 "Recommended Safe Practices for the Preparation for Welding and Cutting of Containers and Piping That Have Held Hazardous Substances", obtainable from the American Welding Society, 2501 N.W. 7th St., Miami, FL 33125.

TABLE 1 - MODEL SPECIFICATIONS

Model	Current Capacity	Length	Body Diameter	Weight (approx.)	Recommended Wire Diameter Range
CA-C 55°/ CA-T 55°	400 amps CO ₂ 260 amps Argon	14.375"	1.450"	1.8 lbs.	.030"-.062" Hard/Cored 3/64"-1/16" AL

INTRODUCTION

The CA-C/CA-T series of air-cooled curved gun configurations come pre-assembled and ready to install. These MIG welding guns can be converted to different configurations to suit many welding applications by utilizing the various nozzle bodies and gas nozzles available. Consult the factory for special nozzle requirements other than those listed on page 16. All models have the feature of individual replaceable service connections. When desirable, a cable/hose sheath is available to further add to the durability and long life of these gun assemblies.

All joints on these guns are low temperature brazed for strength and integrity of the design. Longevity of the gun performance is provided by the well-designed switch and cable assembly. Each gun assembly comes with a tip and nozzle applied.

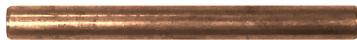
In order to make the installation complete, the series and gun model along with wire size, wire feeder make & model, and inlet as needed must be specified when ordering.

For further information or help with D/F Machine Specialties products, please visit our web site at www.dfmachinespecialties.com, or consult the factory at 1-507-625-6200.

TABLE 2 - CURRENT TIPS

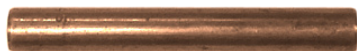
CURRENT TIPS - 2-1/2" SLIP-IN - 1/4" DIAMETER

Gun/Barrel Model	Wire Size	Wire Type	Code No.
All NC, NCC, NCM (Tip provides 1/8" set back)	.030"	Hard	10794
	.035"	Hard	10795
	.045"	Hard	10796
	.052"	Hard	10840
	1/16"	Hard	10797
All NC, NCC, NCM (Tip provides 1/8" set back)	3/64"	Aluminum	10785
	1/16"	Aluminum	10786



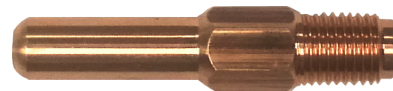
CURRENT TIPS - 2-1/2" SLIP-IN - 5/16" DIAMETER

Gun/Barrel Model	Wire Size	Wire Type	Code No.
All NC, NCC, NCM (Tip provides 1/8" set back)	.030"	Hard	19390
	.035"	Hard	19391
	.045"	Hard	19392
	.052"	Hard	19393
	1/16"	Hard	19394
	5/64"	Hard	19711
	3/32"	Hard	19726
	7/64"	Hard	19396
All NC, NCC, NCM (Tip provides 3/8" set back)	1/8"	Hard	19727
	.035"	Cored	19400
	.045"	Cored	19401
	.052"	Cored	19402
	1/16"	Cored	19403
	5/64"	Cored	19404
	3/32"	Cored	19405
All NC, NCC, NCM (Tip provides 1/8" set back)	7/64"	Cored	19406
	1/8"	Cored	19720
	3/64"	Aluminum	19407
	1/16"	Aluminum	19408
	5/64"	Aluminum	19728
	3/32"	Aluminum	19409



CURRENT TIPS - 7/16" DIAMETER THREADED

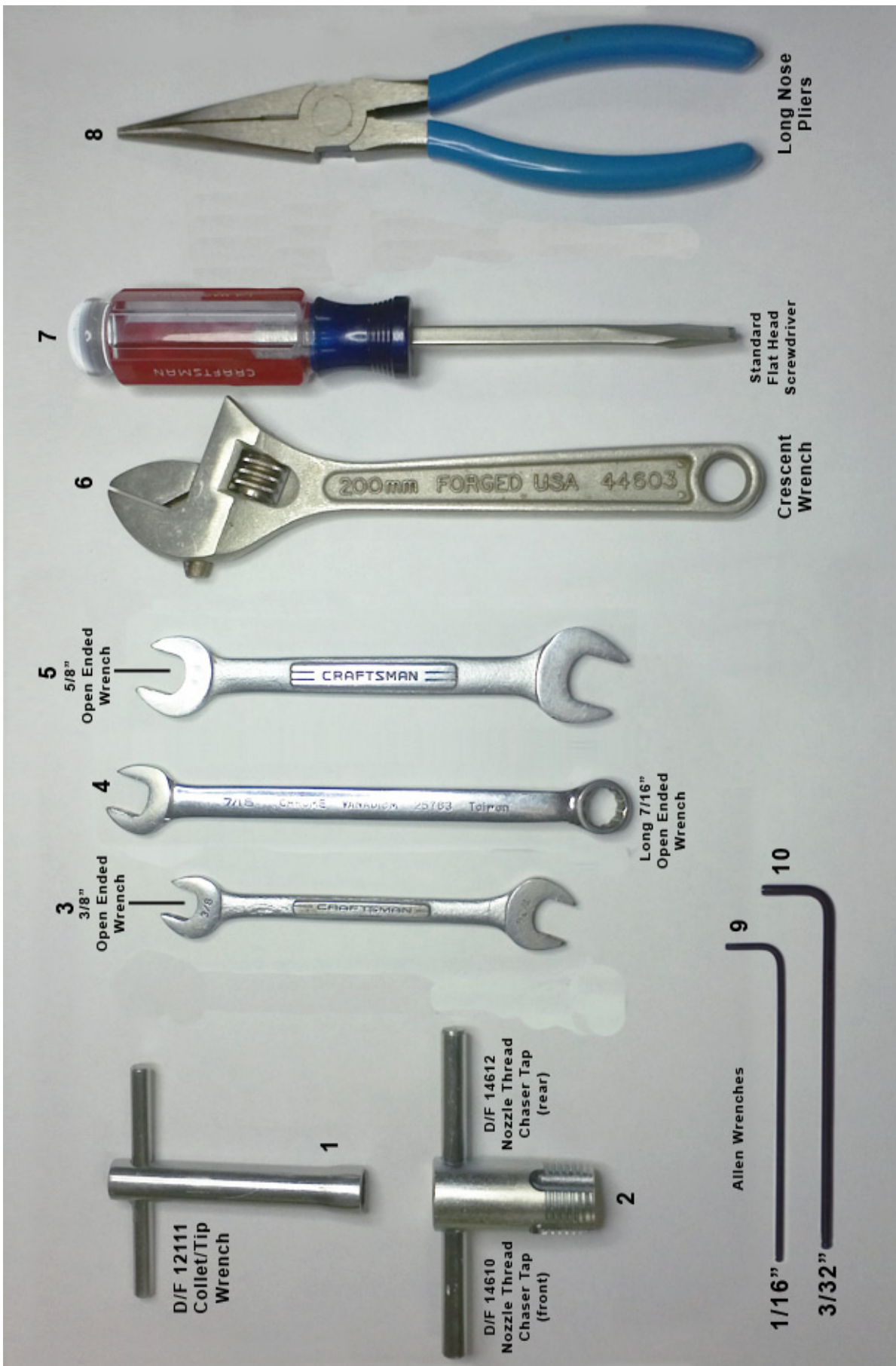
Gun/Barrel Model	Wire Size	Wire Type	Code No.
All HT, HTC, HTM, CTW, CW-T, MTW (Tip provides 1/8" set back)	.035"	Hard	15116
	.045"	Hard	15117
	.052"	Hard	15121
	1/16"	Hard	15118
	5/64"	Hard	15119
	3/32"	Hard	15120
	7/64"	Hard	15122
All HT, HTC, HTM, CTW, CW-T, MTW (Tip provides 3/8" set back)	1/8"	Hard	15105
	.035"	Cored	15101
	.045"	Cored	15106
	.052"	Cored	15112
	1/16"	Cored	15107
	5/64"	Cored	15108
	3/32"	Cored	15109
All HT, HTC, HTM, CTW, CW-T, MTW (Tip provides 1/8" set back)	7/64"	Cored	15110
	1/8"	Cored	15111
	3/64"	Aluminum	15126
	1/16"	Aluminum	15125
	5/64"	Aluminum	15087
	3/32"	Aluminum	15148
	1/8"	Aluminum	15123



REQUIRED TOOLS LIST FOR DISASSEMBLY & ASSEMBLY

1. **D/F 12111 Collet/Tip Wrench** - This is the only tool that should ever be used to tighten the collet nut or the tip. Pressure should be 30 lbs., or as snug as hand tightened. Never use another wrench to apply more torque to this wrench.
2. **D/F Nozzle Thread Chaser Taps (Front & Rear)** - This is used to re-tap damaged threads that have been improperly cleaned or cross threaded. Always blow out the nozzle and gas nozzle after changing gas cup or re-tapping. For more information on how to use the nozzle thread chaser tap, use the following link: www.dfmachine.com/taps
3. **3/8" Open Ended Wrench** - This is used on the inner body's gas hose fitting to secure the gas hose to the torch's inner body. A crescent wrench could be used instead, but due to the large size of crescent wrenches, we prefer the smaller size of the open ended wrenches. You never want to use excessive force by using too large of a wrench. You will use the Long 7/16" Open Ended Wrench for the fitting on the gas hose itself while using the 3/8" wrench to steady the inner body at the fitting. (see #4)
4. **Long 7/16" Open Ended Wrench** - This is used to secure the gas hose to the torch's inner body. (see #3)
5. **5/8" Open Ended Wrench** - This wrench is used to secure the adapter and jam nut that hold the current tip to the inner body. In your left hand hold the inner body, and with your right hand thread up the adapter using the 5/8" Open Ended Wrench until it is tight. Now place the same wrench on the jam nut and snug it up against the inner body. Keeping that wrench on the jam nut and placing it on the table for force, take a second 5/8" Open Ended Wrench, place it on the adapter and push it down (counter-clockwise) securing the adapter to the inner body.
6. **Adjustable Crescent Wrench** - A medium size adjustable crescent wrench could be used as well. **CAUTION:** Never use excessive force with large wrenches, for you could twist or break parts.
7. **Standard Flat Head Screwdriver** - This is used to tighten or secure the torch's body screw. Also, the screwdriver can be used to straighten the contact tip if it is not aligned in the center of the gas cup or water-cooled nozzle **CAUTION:** This cannot be done unless the spatter disc has been removed from the torch.
8. **Long Nose Pliers** - These are very handy when changing a slip-in contact tip.
9. **1/16" Allen Wrench** - This is used for secure the button switch set screw in the trigger switch assembly.
10. **3/32" Allen Wrench**
 - A. This is used to secure the set screw that holds the casing in the torch's inner body.
 - B. This is used on the inner body's set screws to secure the power cable to the torch's inner body.

REQUIRED TOOLS LIST FOR DISASSEMBLY & ASSEMBLY



HOW DO I CUT, FIT, AND INSTALL A NEW LINER?

1. Be sure the MIG Gun cable is arranged in a straight line, free from twists, when installing or removing a wire liner.
2. Remove the old liner by first removing the MIG gun's contact tip.
3. Pull the old wire liner out of the conduit/casing assembly from the feeder connector or feeder adapter plug end. If you are using a feeder adapter that has an inlet, the inlet must be removed first. If you have any problems removing the liner you may un-thread the feeder adapter first this will also back the liner out of the conduit/casing.
4. If you know that the old liner is the correct length or is still the original liner that was cut at the factory you may hold the new liner up against the old liner and cut off the new liner to the same size as the old liner.
5. Make sure you have a good sharp cut off with no material sticking out!
6. To get the correct length of the new liner, insert the liner into the feeder adapter and feed it through the conduit/casing.
7. Once again be sure the MIG Gun cable is arranged in a straight line, free from twists, when installing a new wire liner.
8. Sometimes on longer conduits/casings and liners it may take 2 people together; one on each end to rotate and twist the conduit/casing to get the liner through the torch.
9. If you have any troubles getting a liner through a torch make sure you have a good sharp cut off, and if you have to you can gently sand the end of the liner on a belt sander. You can remove the cast in the aluminum liner by pre-bending and straightening the liner before loading.
10. After the new liner comes out the end of the torch you want to cut the new liner off flush with the end of the copper gas nozzle or Cu gas cup.
11. Now you have the overall length of the liner, you still have to take out the length of the contact tip.
12. Carefully remove the liner one more time.
13. After removing the liner hold the gun end of the liner up against the tip.
14. Cut off the length off the tip plus the set back of the tip (1/8" or 3/8" tip setbacks)
15. Now that you have cut off the length of the tip plus the setback you may install the new liner and it will back up into the back of the tip chamfer.
16. We always recommend checking the condition of the insulation tube in the front of the torch and collet nut that holds the slip-in tip.
17. We always recommend replacing the spatter disc/gas diffuser, contact tip, and nozzle, after installing a new liner.
18. Tighten the flat head set screw in the inner body, or the Allen set screw in the docking spool onto the conduit/casing to prevent backward movement or an unwanted pumping action.

WHAT IS THE PROPER USE OF THE NOZZLE THREAD CHASER TAP?

All D/F Nozzles are hand checked for fit before and after plating, and checked again before shipping. If a nozzle has been installed on a new complete torch, they have also been hand checked while being assembled.

The only reason to ever take a gas cup out a nozzle is to clean it. The nozzle and the gas cup must be blown out, and all of the threads have to be wire brushed and blown out again before hand-tightening the gas cup back into the nozzle. If you can't thread it in by hand then something is wrong. Never force a gas cup into a nozzle.

When using the D/F Machine Specialties nozzle thread chaser taps, be sure to always follow the steps below:

1. Make sure that the nozzle is properly supported when tapping so it does not twist in the front of the torch body and cause damage.
 - Improper support can cause the spigots to twist off the top of the rear nozzle collar, or damage the torch internal body parts.
 - Note where the water ports go down the sides of the water-cooled nozzle (following down in line with the spigots). Too much direct pressure on these water ports could cause them to cave in and block of the flow of water.
 - Best practice is to hold the water-cooled nozzle in a vice with soft jaws, perpendicular to the spigots.
 - Over-tightening of the vice can cause damage in general.
2. Remove the tip from the front of the torch before tapping.
3. Lightly lubricate the nozzle and nozzle thread chaser tap before tapping.
4. Be sure to start the tap very carefully. Do not cross thread the nozzle.
5. Be very careful to start threads correctly. Only tap 1/2 turn at a time, always backing up and removing chips 1/2 cycle at a time before moving forward. Do not try to tap further into the water-cooled nozzle than needed or past the factory thread depth.
6. Blow out the nozzle after tapping. Wire brush and blow off the gas cup before threading it back into the nozzle.
7. If nozzle is badly deformed or damaged please return to the factory for a repair estimate before disposing of product (damaged parts can often be repaired).

ORDERING INFORMATION - NOZZLE THREAD CHASER TAPS

CODE NO.	DESCRIPTION	USED WITH NOZZLE ASSEMBLY	USED FOR GAS NOZZLE
14610	Nozzle Thread Chaser Tap for Standard A/C & W/C Nozzle Assembly Front	13197 16184 11117, 45101 11118, 45102 11119, 45103 45114 45107 NCC-N/HTC-N NCC-LRN, HTC-LRN	10340 10359 10362 10374
14611	Nozzle Thread Chaser Tap for BIG MIG & BIG TIG Nozzle Assembly Front	11123	10382 10387 10389 10390 10392
14612	Nozzle Thread Chaser Tap for Nozzle Body Assembly Rear	13196 13197 13198 16184	
14614	Nozzle Thread Chaser Tap for Series A High-Capacity Nozzle Assembly Front	11142, 45120 11138, 45121 45127 11132, 45129 45125	16748 16749 16750 16751 18030 18031 18032
14615	Nozzle Thread Chaser Tap for Nozzle Body Assembly Front	13198	10379
14617	Nozzle Thread Chaser Tap for Tandem Nozzle Assembly Front	41641	41667 41668

DISASSEMBLY

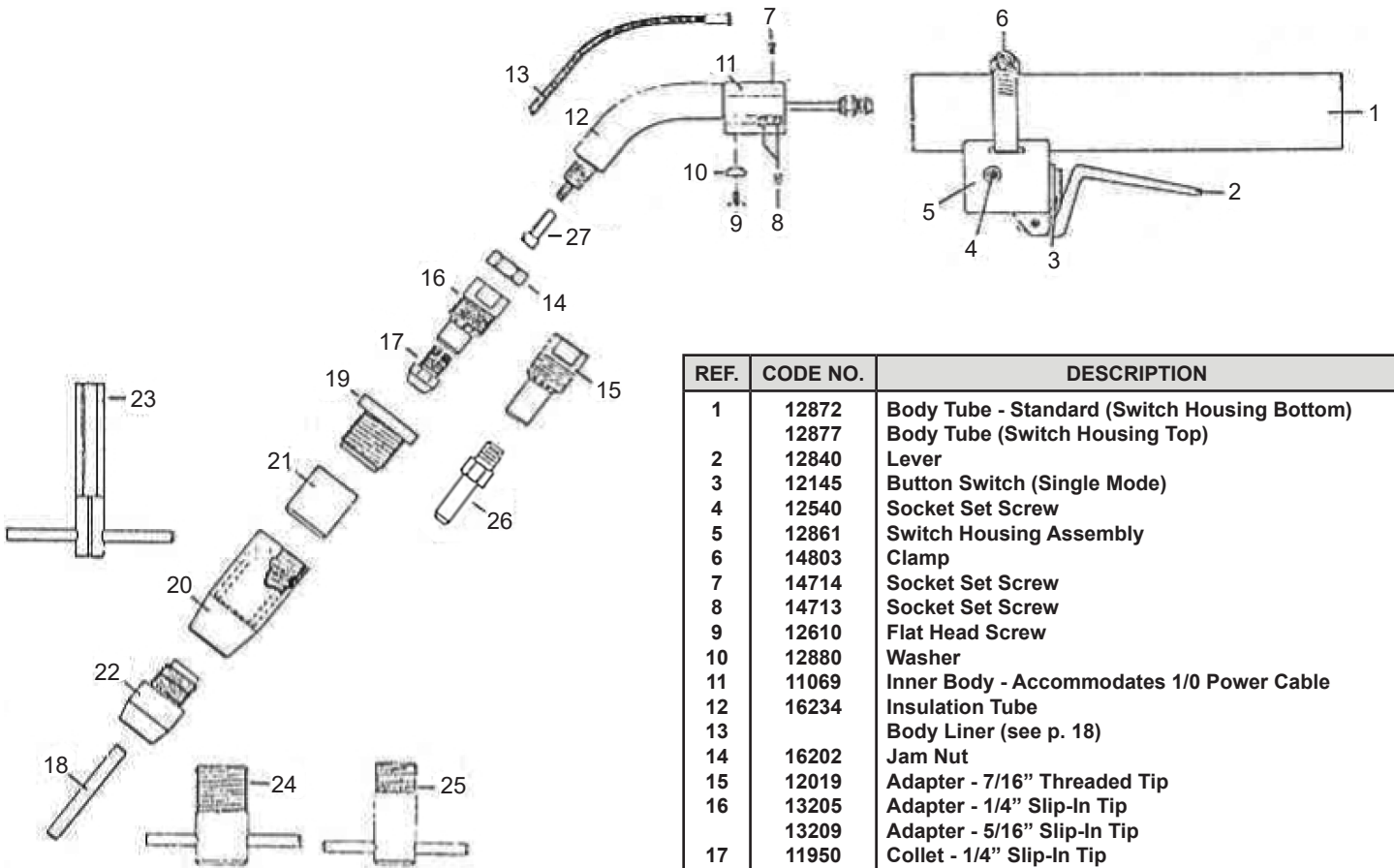
1. When repairs are made on the production line make certain the power source and wire feeder are disconnected from primary power.
2. Remove forward gas nozzle. If threads are damaged or clogged up with spatter, use (14610) nozzle thread chaser tap to recondition the front of nozzle bodies (16384 & 13197).
3. Remove current tip. A wrench is provided for the collet holding the slip-in tip on the CA-C Series. See page 8 for replacement of tips and nozzles.
4. If the 1/4" and 5/16" collet adapters (13205 & 13209) or 7/16" threaded tip adapter (12019) is to be replaced, proceed as follows:
 - a. Unscrew the nozzle body. If the insulator threads off with the nozzle body, it may be necessary to grip the edge of the insulator (13163) and turn it out. Do not apply excessive pressure to the insulator.
 - b. The nozzle body insulator (16605) can be removed by sliding it to the rear. NOTE: Nozzle body (13196, 13197, 13198, & 16384) rear insulator threads can be reconditioned and re-chased with (14612) rear thread chaser.
5. Remove the adapter by using two 5/8" wrenches - one to hold the jam nut (16202) and the other to unscrew the adapter.
6. NOTE: Optional "Body Bushing" is provided to center up the liner located at the forward end of the inner body on guns not utilizing the inner body liner and single piece casing.
7. Insulator on body tube should be inspected and replaced if worn or cut at this time.
8. Remove flat head screw (12610) and insulator from the body tube.
9. Release pressure on switch housing clamp.
10. Grasp electrical cable and at the same time pull body tube off the curved inner body. A slight twisting motion will aid in sliding the tube back.
11. The casing set screw (14712) can now be released and the casing/liner assembly withdrawn out of the inner body. NOTE: Swivel socket set is captivated by the body tube.
12. Insert and replace inner body liner. See page 14 for replacement.
13. If the trigger switch is to be removed:
 - a. Release socket set screw holding the switch in position.
 - b. Drift out the roll pin holding the lever in the switch housing.
 - c. Carefully pull button switch from housing - inspect and replace as required.

ASSEMBLY

1. Care must be exercised in connecting fittings to allow sliding of the handle over the hoses when reassembling. Keep the hose/services as straight as possible, avoiding twisting of service lines.
2. If new power cable is required:
 - a. Trim off approximately 1" off cable covering.
 - b. Carefully wrap copper strands with copper sheet.
 - c. Slip wrapped copper cable end with locking clip (16196) provided into the rear of the inner body assembly.
3. Securely tighten socket set on the power cable assembly.
4. If possible, check for gas flow through gun body after applying the gas hose assembly.
5. By following the procedures listed in Disassembly in reverse, the gun cable can now be re-assembled.
6. Check to make sure that your gun assembly has the right size current tip and liners for wire to be used.
7. Be sure replacement lines/composite body liner is cut off a the proper length. For adjustment of current tip stick-out, see page 14.
8. When trimming liner, important! Remove any sharp edges outside or inside and file if necessary.
9. When installing a new collet (11950 & 18262) be careful not to over-tighten with the collet wrench. Excessive pressure is not required due to good gripping action of the collet.
10. Current tips and nozzles should be cleaned as frequently as required. A clogged nozzle will restrict the flow of shielding gas.
11. Check regularly the condition of service hose and control wire connections leading from the feeder and power source.

AIR-COOLED CURVED GUN 45°

Nozzle Body #13197

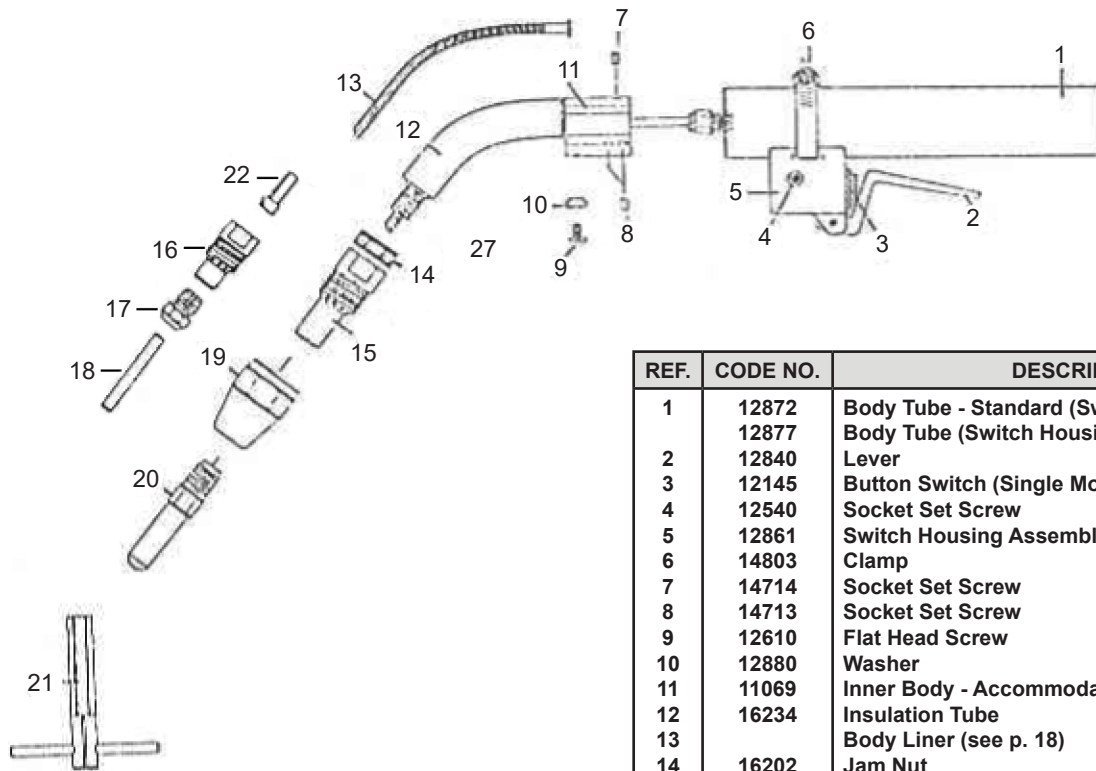


REF.	CODE NO.	DESCRIPTION
1	12872	Body Tube - Standard (Switch Housing Bottom)
	12877	Body Tube (Switch Housing Top)
2	12840	Lever
3	12145	Button Switch (Single Mode)
4	12540	Socket Set Screw
5	12861	Switch Housing Assembly
6	14803	Clamp
7	14714	Socket Set Screw
8	14713	Socket Set Screw
9	12610	Flat Head Screw
10	12880	Washer
11	11069	Inner Body - Accommodates 1/0 Power Cable
12	16234	Insulation Tube
13		Body Liner (see p. 18)
14	16202	Jam Nut
15	12019	Adapter - 7/16" Threaded Tip
16	13205	Adapter - 1/4" Slip-In Tip
	13209	Adapter - 5/16" Slip-In Tip
17	11950	Collet - 1/4" Slip-In Tip
	18262	Collet - 5/16" Slip-In Tip
18		Current Tip - 1/4" or 5/16" Slip-In (see p. 5, Table 2)
19	13163	Insulator
20	13197	Nozzle Body (less insulator)
	13176	Nozzle Body (with insulator)
21	16605	Insulator
22		Gas Nozzle (see p. 16, Table 3)
23	12111	Wrench
24	14610	Nozzle Thread Chaser Tap - Front
25	14612	Nozzle Thread Chaser Tap - Rear
26		Current Tip - 7/64" Th'd (see p. 5, Table 2)
27	16090	Bushing .030"-3/32"

ORDERING INFORMATION

LENGTH	DESCRIPTION	CODE NO.
10 Ft.	Model CA-C/CA-T-70 (Slip-In or Th'd) Nozzle Body 13197 & 1/0 Power Cable	19810
12 Ft.	Model CA-C/CA-T-72 (Slip-In or Th'd) Nozzle Body 13197 & 1/0 Power Cable	19812
15 Ft.	Model CA-C/CA-T-74 (Slip-In or Th'd) Nozzle Body 13197 & 1/0 Power Cable	19815

AIR-COOLED CURVED GUN 45° Gasless



REF.	CODE NO.	DESCRIPTION
1	12872	Body Tube - Standard (Switch Housing Bottom)
	12877	Body Tube (Switch Housing Top)
2	12840	Lever
3	12145	Button Switch (Single Mode)
4	12540	Socket Set Screw
5	12861	Switch Housing Assembly
6	14803	Clamp
7	14714	Socket Set Screw
8	14713	Socket Set Screw
9	12610	Flat Head Screw
10	12880	Washer
11	11069	Inner Body - Accommodates 1/0 Power Cable
12	16234	Insulation Tube
13		Body Liner (see p. 18)
14	16202	Jam Nut
15	12019	Adapter - 7/16" Threaded Tip
16	13209	Adapter - 5/16" Slip-In Tip
17	18262	Collet - 5/16" Slip-In Tip
18		Current Tip - 5/16" Slip-In (see p. 5, Table 2)
19	16815	Nut
20		Current Tip - 7/16" Th'd (see p. 5, Table 2)
21	12111	Wrench
22	16089	Bushing - used with 1/4" x 2.5" Tip
	16090	Bushing - used with 5/16" x 2.437" Tip

ORDERING INFORMATION

LENGTH	DESCRIPTION	CODE NO.
10 Ft.	Model CA-C/CA-T-73 (Slip-In or Th'd) Gasless & 1/0 Power Cable	19820
12 Ft.	Model CA-C/CA-T-74 (Slip-In or Th'd) Gasless & 1/0 Power Cable	19822
15 Ft.	Model CA-C/CA-T-75 (Slip-In or Th'd) Gasless & 1/0 Power Cable	19825

TABLE 3 - GAS NOZZLES

GUN MODEL	REF.	NOZZLE TYPE	O.D.	I.D.	CODE NO.
NC/HT	1	Copper Tapered	63/64"	5/8"	10362
	2	Copper Straight	1"	3/4"	10340
	3	Copper Full Taper	63/64"	5/8"	10359
	4	Copper Straight	5/8"	7/16"	10374
	5	Use With Nozzle Body 13198	1-1/16"	3/4"	10379

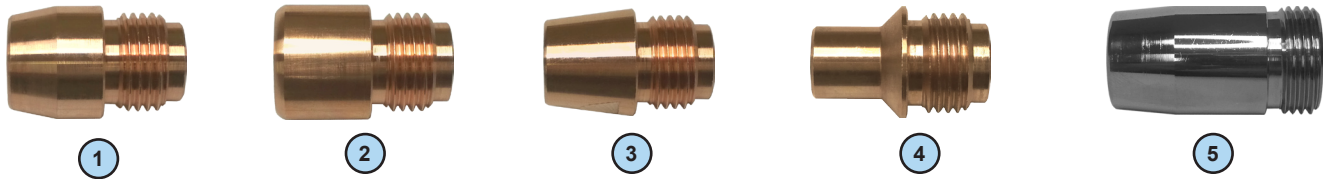


TABLE 4 - LINERS

Description	Wire Size	2 Ft.	3 Ft.	4 Ft.	5 Ft.	6 Ft.	7 Ft.	8 Ft.	10 Ft.	12 Ft.	15 Ft.
Hard	.030"	-	14130	14131	14132	16818	16819	16820	12320	12321	12322
Hard/Cored	.035"-1/16" **	16443	16444	16445	16446	16447	16448	16449	16407	16408	16409
Hard/Cored	.045"-1/16" **	16147	16148	16149	16150	16151	16152	16153	16119	16120	16121
Stainless	.035"-1/16" **	16154	16155	16156	16157	16158	16159	16160	12336	12337	12338
Stainless	.045"-1/16" **	16501	16502	16503	16504	16505	16506	16507	16508	16509	16510
Aluminum	3/64" **	16833	14146	14148	14150	16618	16619	12410	12411	12412	12413
Aluminum	1/16" **	16834	14152	14154	14156	14164	16620	12401	12402	12416	12404
Aluminum	3/32" **	16835	14158	14160	14162	14165	16769	16602	16602	12417	12426

** Liners to be used with double asterisk casing

TABLE 5 - CASINGS

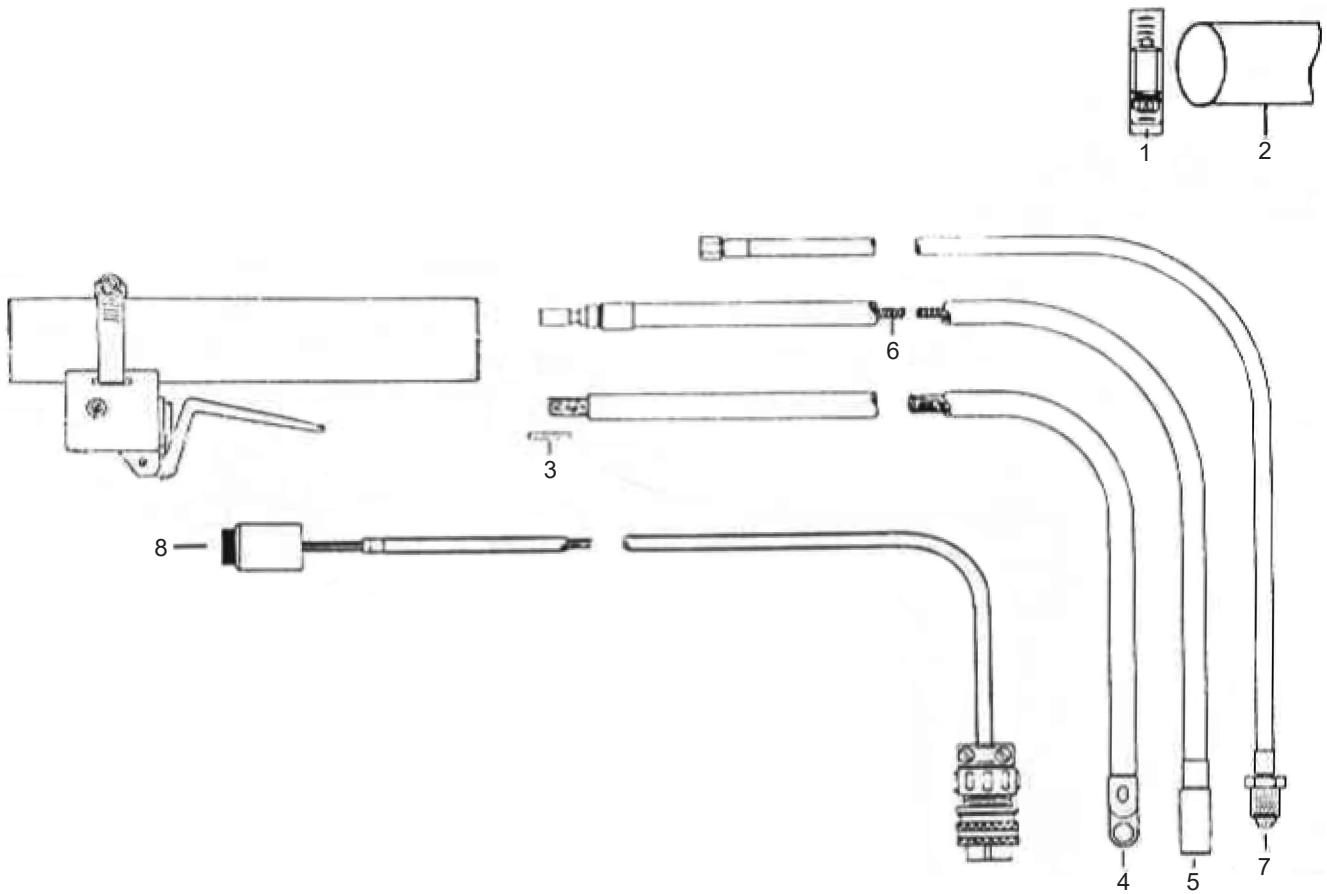
Description	Wire Size	2 Ft.	3 Ft.	4 Ft.	5 Ft.	6 Ft.	7 Ft.	8 Ft.	10 Ft.	12 Ft.	15 Ft.
Casing Assembly (Flexible)											
Select Liner	.030"	14440	14441	14442	14443	12291	12292	12285	12286	12287	12290
Select Liner	.035"-1/16" **	14444	14445	14446	14447	16173	16561	13565	13751	13757	13752
Casing Assembly (Reinforced)											
Single Piece	.035"-1/16"	16735	16736	16737	16738	16739	16740	16512	15988	15991	16055
Single Piece	.045"-1/16"	15750	15751	15752	15753	15754	15755	16513	12380	12383	12386
Single Piece	5/64"-3/32"	15729	15730	15731	15732	15733	15734	15735	12441	12449	12443
Single Piece	7/64"-1/8"	15740	15741	15742	15743	15744	15745	16515	12445	12448	12446

** Liners to be used with double asterisk casing

TABLE 6 - RECOMMENDED SPARE PARTS

ITEM	CODE NO.	MIN QTY.
Gas Nozzle	To Be Selected	2
Current Tip	To Be Selected	25
Collet Nut	To Be Selected	1
Body Liner	To Be Selected	2
Insulation Tube	To Be Selected	1
Insulator	13163	1
Insulator	16605	1

CASINGS, LINERS, & HOSE ASSEMBLIES



REF.	CODE NO.	DESCRIPTION
1	14803	Clamp
2	14814	Cable/Hose Protector 10Ft.
	14816	Cable/Hose Protector 12 Ft.
	14818	Cable/Hose Protector 15 Ft.
3	16196	Cable Clamp Kit
4	18531	Power Cable 1/0 10 Ft.
	18532	Power Cable 1/0 12 Ft.
	18533	Power Cable 1/0 15 Ft.
5		Casing (see p. 16, Table 5)
6		Liner (see p. 16, Table 4)
7	11846	Gas Hose Assembly 10 Ft.
	11852	Gas Hose Assembly - 12 Ft.
	11847	Gas Hose Assembly - 15 Ft.
8		Switch & Cable Assembly (see p. 19, Table 7)

COMPOSITE BODY LINERS

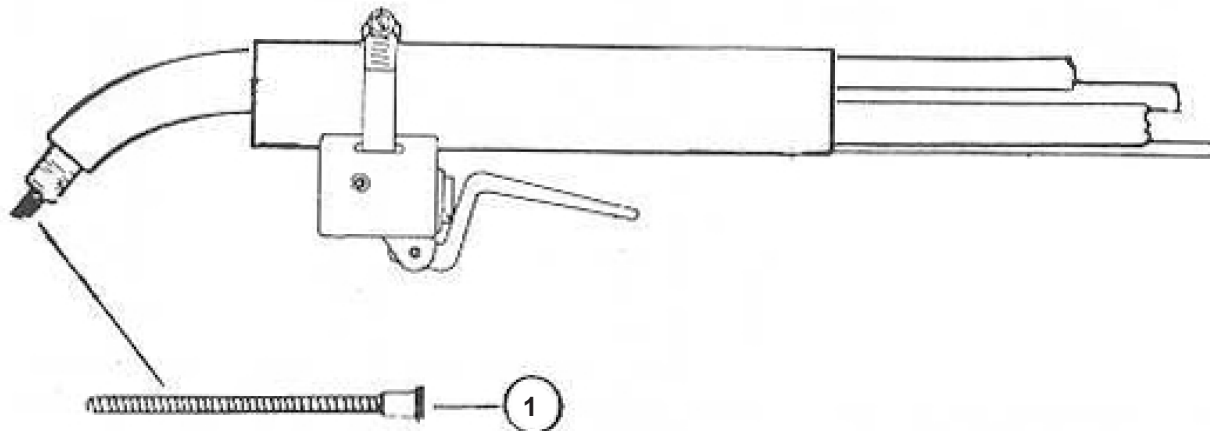
Required with Single Piece Casing or Casings that Use Replaceable Liners

Model CA-C - Pre-Fit Body Liner Used with Slip-In Tip

CODE NO.	DESCRIPTION	SIZE WIRE	TYPE WIRE
18083	Composite Body Liner	.030"-.035"	Hard/Cored
18084	Composite Body Liner	.035"-.045"	Hard/Cored
18085	Composite Body Liner	.045"-.052"-1/16"	Hard/Cored
16386	Composite Body Liner	3/64"	Soft
19024	Composite Body Liner	1/16"	Soft
19025	Body Liner	5/64"	Cored

Model CA-T - Pre-Fit Body Liner Used with Threaded Tip

CODE NO.	DESCRIPTION	SIZE WIRE	TYPE WIRE
18086	Composite Body Liner	.030"-.035"	Hard/Cored
18087	Composite Body Liner	.035"-.045"	Hard/Cored
18088	Composite Body Liner	.045"-.052"-1/16"	Hard/Cored
18089	Body Liner	5/64"-7/64"	Cored



FITTING REPLACEABLE LINERS TO CASING ASSEMBLIES

The recommended method of cutting liners to size is as follows:

1. All repairs and adjustments to gun assemblies are made with the power source and feeder turned off.
2. Place gun and casing assembly as flat as possible on workbench (floor) keeping service lines straight.
3. Remove inlet or adapter depending on the feeder make. Remove the inner body fastening screw. The body housing may now be pulled back to expose the inner body. The set screw fastening the casing may now be released and the casing may be taken out of the inner body. NOTE: Use a short piece of liner material for pushing the used liners back.
4. Now carefully push new liner in at adapter end.
5. Cut liner off even at gun and casing fitting.
6. Liner is now cut to size and gun may be reassembled.

TABLE 7 - SWITCH & CABLE ASSEMBLIES

Code No.	Feeder Manufacturer - Model No.	Type Of Connector	Length
12166	Miller "50" Series	AMP	10 Ft.
11174	OTC CMRE-741 & 742	Amphenol - 2 Pin	-
11159	Hobart-Airco-Westinghouse	Amphenol - 3 Pin	-
11173	Oxo All-Auto Arc	Amphenol - 4 Pin	-
16140	Lincoln LN-7, LN-8, LN-9, Power Feed 10, LF-72, LF-74, PF-84	Amphenol - 5 Pin	-
11182	Miller "30" Series-Linde/ESAB31/35	Hubbell - 2 Blade	-
16107	Hobart 27	Phone Jack	-
12167	Miller "50" Series	AMP	12 Ft.
11176	OTC CMRE-741 & 742	Amphenol - 2 Pin	-
16122	Hobart-Airco-Westinghouse	Amphenol - 3 Pin	-
11177	Oxo All-Auto Arc	Amphenol - 4 Pin	-
16141	Lincoln LN-7, LN-8, LN-9, Power Feed 10, LF-72, LF-74, PF-84	Amphenol - 5 Pin	-
11183	Miller "30" Series-Linde/ESAB31/35	Hubbell - 2 Blade	-
16108	Hobart 27	Phone Jack	-
12168	Miller "50" Series	AMP	15 Ft.
11178	OTC CMRE-741 & 742	Amphenol - 2 Pin	-
11160	Hobart-Airco-Westinghouse	Amphenol - 3 Pin	-
11175	Oxo All-Auto Arc	Amphenol - 4 Pin	-
16142	Lincoln LN-7, LN-8, LN-9, Power Feed 10, LF-72, LF-74, PF-84	Amphenol - 5 Pin	-
11184	Miller "30" Series-Linde/ESAB31/35	Hubbell - 2 Blade	-
16109	Hobart 27	Phone Jack	-
Code No.	DESCRIPTION (PLUG ONLY)	Type Of Connector	
12162	Miller "50" Series	AMP	
13850	OTC CMRE-741 & 742	Amphenol - 2 Pin	
12160	Hobart-Airco-Westinghouse	Amphenol - 3 Pin	
14731	Oxo All-Auto Arc	Amphenol - 4 Pin	
14734	Lincoln LN-7, LN-8, LN-9, Power Feed 10, LF-72, LF-74, PF-84	Amphenol - 5 Pin	
13317	Miller "30" Series-Linde/ESAB31/35	Hubbell - 2 Blade	
13431	Hobart 27	Phone Jack	

UTILITY STATION 45184 - AIR-COOLED BARRELS

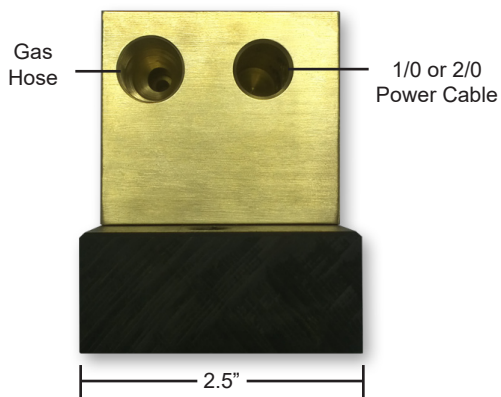
ORDERING INFORMATION

Description	Code No.
Utility Station - Air-Cooled Barrels	45184

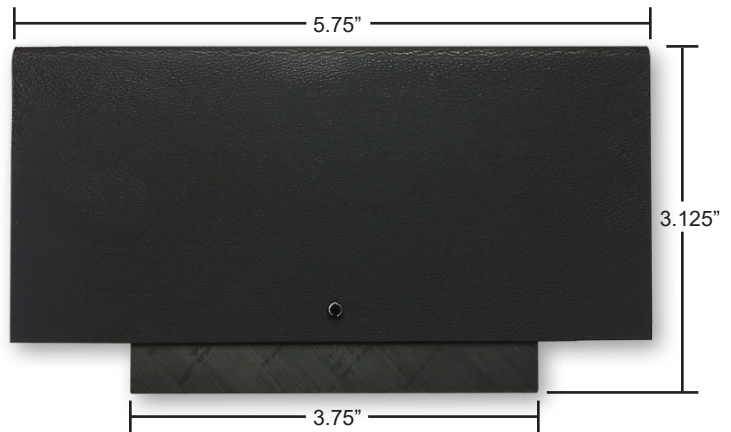
DIMENSION SPECIFICATIONS

Base Length	3.75"
Overall Length	5.75"
Base Width	2.25"
Overall Width	2.5"
Overall Height	3.125"
Mounting Hole Center Distance	2.75"
Overall Weight	3.5 lbs.

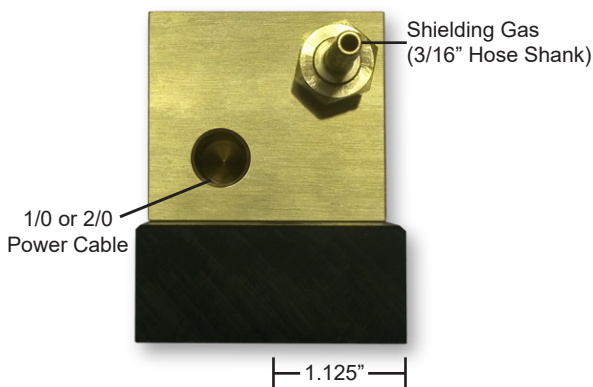
D/F TORCH CONNECTION



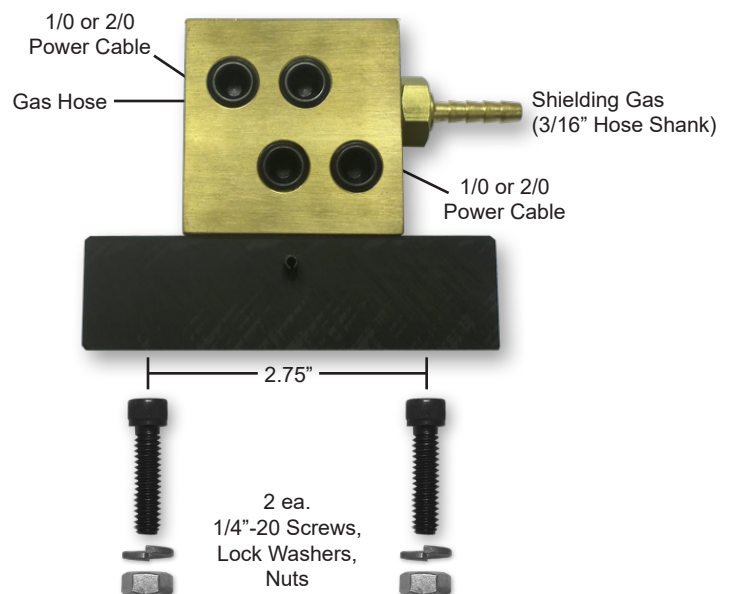
UTILITY STATION SIDE VIEW WITH COVER



CUSTOMER UTILITIES CONNECTION



FROM LEFT: D/F TORCH CONNECTION FROM RIGHT: CUSTOMER UTILITIES CONNECTION



WIRE FEEDER ADAPTERS & INLETS

Manufacturer	Models	Wire Diameter	Remote Mount Adapter			Direct Mount Adapter	
			Hard or AL	Cored	Stub* Liner	Hard or AL	Cored
ESAB®	D20 (20mm)	.030"-3/32" H/C/AL 5/64"-1/8" H/C	13098	13099	*	13096	13097
ESAB®			18246	18247		18248	18249
EURO			18493	18493		18540	18540
Hobart®	All Models	.030"-3/32" H/C/AL 5/64"-1/8" H/C	13067	16087	*	13068	16225
Lincoln®	LN-7, LN-8, NA5-R	.030"-3/32" H/C/AL 5/64"-1/8" H/C	13110	13112	*	13113	13116
	LN-9	.030"-3/32" H/C/AL 5/64"-1/8" H/C	16581	16582	*	16528	16529
	NA3, NA5	.030"-3/32" H/C/AL 5/64"-1/8" H/C	16879	16878	*	16880	16881
"BIG MIG"	NA3, NA5	.030"-3/32" H/C/AL 5/64"-1/8" H/C	16879	16878	*	16888	16888
Lincoln®	Power-Feed 10, LF-72, LF-74	.030"-3/32" H/C/AL 5/64"-1/8" H/C	13479		*	13480	
				13469	*		13468
Linde®	SWM31 SWM34 SWM37 SWM38 EH8	Casing to Feeder (Accepts Linde® Outlet Guide)	13046			13046	
		D/F Insert					
		.035"-.045" Hard .045"-1/16" Hard 5/64"-3/32" Cored 3/64"-1/16" AL	13047 13048 13050	13049		13047 13048 13050	13049
	EH10	.030"-3/32" H/C/AL 5/64"-1/8" H/C	13043	13052	*	13080	13079
Mavrix®	PA-10	.030"-3/32" H/C/AL 5/64"-1/8" H/C	16556	16568	Requires Inlet		
Miller® (50 Series)		.030"-3/32" H/C/AL 5/64"-1/8" H/C	16557	16559	*	16558	16560
					*		
OTC®	Requires Insert	.030"-1/8" .030"-1/8"	18268		*	18275	
	CMRE-741		18282			18282	
Panasonic®	PME-12X YW50AKW1	.030"-1/16" .030"-1/16"	13090	Requires Inlet			
			13466				
TWECO®	#4	.030"-3/32" H/C/AL 5/64"-1/8" H/C	13479		*	13480	
				13469	*		13468
Welding Alloys®		.030"-3/32" H/C/AL 5/64"-1/8" H/C		Requires Liner Requires Inlet		13486	13486

*Stub liners only required in feeder adapter when single-piece casing is used.

ORDERING INFORMATION

Each D/F gun is fully assembled and ready to install. In order to make the installation complete, the code number, wire size & type, make/model of wire feeder, and inlet as needed must be specified when ordering. If special welding tools or accessories other than those listed previously are required, please consult with the factory.

FEEDER ADAPTER INLETS

Wire Size	Steel Code No.	Brass Code No.	Nylon Code No.
.030"	13801	16417	
.035"	13803	16418	
.045"	13806	16419	
.052"	13844	16420	
1/16"	13809	16421	
5/64"	13812	16422	
3/32"	13814	16422	
7/64"	13816		
1/8"	13842		
3/64" AL			13807
1/16" AL			13810
3/32" AL			13815

Esab®, Hobart®, Lincoln®, Linde®, Miller®, OTC®, Panasonic®, ABB®, Fanuc®, Kuka®, Mavrix®, Motoman®, Thermal Arc®, TWECO®, & Welding Alloys® are registered trademarks of their respective companies. Names are mentioned for reference only. D/F Machine Specialties is in no way affiliated with these companies.

TROUBLESHOOTING: POROSITY (SUMMARY)

NOTE: Most POROSITY is caused by gas problems, followed by base metal contamination.

Causes of Porosity

BASE METAL CONTAMINATION

Impurities on base metal

FILLER METAL CONTAMINATION

Impurities on filler metal (wire)

ATMOSPHERIC CONTAMINATION

Drafts, wind, fans, etc.

GAS MIXING APPARATUS

1. Too high a gas flow, causing turbulence, and/or sucking air at hose connections; creating the venturi effect at end of gas nozzle
2. Too low a gas flow, causing insufficient gas coverage
3. Damaged or kinked gas lines
4. Too high an oxygen content
5. Leaks in gas distribution system
6. Other impurities in gas - moisture, etc.
7. Inconsistent gas flow (cfh) at the torch connection

GAS TURBULENCE

1. Excessive spatter build-up in gas nozzle and on current tip
2. Nozzle damage, causing uneven gas coverage
3. Torch gas ports clogged or deformed
4. Super-heated nozzle, causing shielding gas to expand rapidly and create return effect at end of nozzle
5. Gas diffuser/nozzle insulator missing
6. Too high a gas flow causing the venturi effect

WELDING PARAMETERS, ETC.

1. Too long a wire stick-out; gas nozzle too far from weld puddle
2. Bad torch position - too sharp a torch incline causing the venturi effect at the end of the nozzle leading to atmospheric contamination
3. Excessively wide weld pool for nozzle I.D.
4. Arc voltage too high
5. Too high a travel speed

Possible Solutions

- a. Remove contamination; clean surfaces
 - b. Use of specific wire/gas mix for specific types of impurities
-
- a. Replace wire
 - b. Install wire-cleaning system
 - c. Prevent industrial dust/dirt/grit from contaminating wire during storage or use
 - d. Prevent build-up of aluminum oxide on exposed aluminum wire surface by using up quickly
 - e. Remove wire from wire drive unit and store in a sealed plastic bag when not in use for long periods
-
- a. Protect weld from drafts (curtains/screens)
 - b. Use tapered or bottleneck gas nozzles when drafts cannot be avoided
-
- 1a. Reduce gas flow
 - 1b. Tighten all hose connection points
 2. Increase gas flow
 3. Repair or replace
 4. Adjust mixer
 5. Repair leaks
 6. Overhaul system; fit filters and/or dryers
 7. Regulate pressure into flow meter for consistent cfh delivery of gas
-
1. Clean nozzle and tip regularly; spray with anti-spatter fluid
 2. Replace nozzle
 3. Clean or replace
 4. Check duty cycle rating of torch
 5. Replace
 6. Reduce gas flow
-
1. Use longer nozzle or adjust stick-out (3/8" minimum or 15 times wire diameter)
 2. Correct torch angle
 3. Width of the weld pool should be 1.3 times the nozzle I.D.; use suitable wider gas nozzle
 4. Reduce voltage
 5. Reduce speed

TROUBLESHOOTING: SPATTER

Problems/Causes

SPATTER

Too fast or too slow wire feed for the arc voltage

Too long an arc

Damaged current tip

Inclination of welding gun too great

Faulty power source

Incorrect start

Incorrect pulse parameters

Uneven wire feed

Impurities on the base metal

Poor ground contact

Too long stick-out (short-arc welding)

Incorrect polarity

Possible Solutions

Set the wire feed rate and voltage in accordance with good welding practices as recommended by a qualified welding engineer.

Adjust the wire feed and voltage so that the arc is in accordance with good welding practice for the joint to be welded. The distance from the current tip to the workpiece should be 15 times the welding wire diameter. If the arc is too long there will be spatter, usually in the direction of the weld.

If the current tip becomes worn the welding wire will not be in constant contact with the tip and the arc will become unstable. A current tip contaminated with spatter will cause uneven wire feed resulting in further spatter.

The angle of the gas nozzle relative to the workpiece should be between 45 and 90 degrees. If the angle is too small, the wire runs parallel to the weld pool, resulting in spatter in the direction of the welding.

Have the power source checked for faulty conditions such as broken wires and faulty contacts.

A great deal of spatter occurs if the stick-out is too great and if the welding gun is held too far from the workpiece when striking the arc. Try to start with as short a stick-out as possible and with the welding gun as close to the starting point as possible. If a large ball end is formed on the end of the welding wire, remove it by cutting the wire with sharp wire cutters. It is helpful if the wire is cut to a point. Always remove the ball end before striking an aluminum arc. Check the welding ground connection.

Check the user manual for your power supply or consult a qualified welding engineer.

Uneven wire feed gives rise to heavy spatter. Find the cause of the disturbance and correct the condition before proceeding.

Paint, mill scale, rust and other contamination on the base metal form an insulating layer causing an unstable arc that results in heavy spatter. Clean the surfaces to be welded.

Inspect ground cable for loose connections, fraying and cuts. Correct any problem areas found and attach the ground cable directly to the workpiece after having cleaned the contact surface first. **POOR GROUND CONTACT IS THE MOST COMMON CAUSE OF UNSTABLE MIG WELDING CONDITIONS.**

The stick-out should be 15 times the diameter of the wire electrode being used. With increasing stick-out, the current is reduced and the arc voltage rises, giving a longer unstable arc and increased spatter.

Check for correct polarity. Follow the electrode manufacturer's recommendations.

TROUBLESHOOTING: GENERAL GUIDE

Problems/Causes

Possible Solutions

ERRATIC WIRE FEED

Slipping feed rolls

Check that the feed roll size is correct for the wire size being used. Increase the drive roll pressure until the wire feed is even. Do not apply excessive pressure as this can damage the wire surface, causing copper coating to loosen from steel wires or metal shavings to be formed from soft wires like aluminum. These metal fragments or shavings can be drawn into the wire feed conduit and will rapidly clog the liner. When welding with flux-cored wires, excessive drive roll pressure may open the wire seam and allow flux or metal powders to escape.

Clogged or worn gun liner

a. Dust, particles of copper, drawing lubricants, metal or flux and other forms of contamination can all clog the liner so that the wire feed is slowed or impeded. A liner that has been in use for an extended period of time becomes worn and filled with dirt and must be replaced.

b. When changing the welding wire, remove the tip from the front end of the gun and blow out the body liner with clean, dry compressed air from the back of the gun. Repeat with the casing and liner assembly. Note: Wear safety goggles when using compressed air to clean the liners. Make sure proper safety procedures are followed in order to avoid possible serious eye injury.

Liners too long or too short

Check the lengths of the liners and trim or replace if too long or too short. The efficient feeding of the welding wire is dependent on the liners fitting correctly.

Spatter on the wire

An unprotected coil of wire quickly collects dust and other airborne contamination. If grinding is being performed in the vicinity, particles can become attached to the wire, severely interfering with the wire feed. Replace with clean wire and keep it protected with a cover. Make sure spare wire rolls are stored in a clean, dry place.

Coil brake incorrectly adjusted

Set the brake so that the coil immediately stops rotating as soon as welding is interrupted. If the brake is applied too hard it will cause the feed rolls to slip, resulting in uneven wire feed. If it is too loose, overrun of the wire will occur, causing wire tangles, inconsistent tension on the feed mechanism and irregular arc characteristics.

UNSTABLE ARC

Incorrect setting of voltage and/or current

Set the wire feed in relation to the arc voltage in such a way that the arc is stable and burns evenly. In spray arc welding, set the wire feed so that there are no short circuits and the filler metal is transferred in a spray across the arc. Find the cause of the interference and correct it. (See ERRATIC WIRE FEED above)

Problems in wire feeding: worn current tip

When the internal diameter of the current tip becomes worn from the passage of wire through it, the wire may no longer stay in continuous electrical contact with the tip. This results in an unstable arc and an increase in spatter. Paint, mill scale, silicon scale, rust or flux deposits from previous weld runs may form an insulating layer causing an unstable arc. Clean the surfaces to be welded.

Impurities on the base metal

Securely attach the ground cable as close to the point of welding as possible on the workpiece. Clean the surfaces thoroughly to ensure good contact.

Poor contact between ground cable and workpiece or loose power connection

Check to insure the welding power connection on the power source is tight, the and workpiece. Connection on the wire feeder is tight, the connection to the adaptor block is tight, Loose power connection and the connection of the gun to the adaptor block is tight.

Stick-out too long

Adjust the current tip to work distance to a minimum of 3/8" for short arc welding. A more precise distance is 15 times the wire diameter.

TROUBLESHOOTING: GENERAL GUIDE

Problems/Causes

Possible Solutions

AIR-COOLED GUN RUNNING TOO HOT

Poor ground

Inspect ground cable for loose connections, fraying and cuts. Correct any problem areas found. Clean clamping area to insure good contact. Securely attach the ground cable to the workpiece, as close as possible to the point of welding. Make sure there is a good connection to the welding power source.

Loose power connection

Check to make sure the power connection on the power source is tight, the connection on the wire feeder is tight, the connection to the adaptor block is tight, and the connection of the gun to the adaptor block is tight.

Consumable items loose or worn

Remove nozzle from gun and inspect current tip, collet nut (tip holder) and spatter disc (gas diffuser) for wear and tightness; replace or tighten as necessary.

Capacity of gun being exceeded

Note complete weld parameters, including welding current (Amps), welding voltage, wire feed speed, type and size of wire, type of gas and flow rate of gas and consult your local Authorized D/F Machine Specialties Distributor or contact the factory.

Dirty connection

Remove torch and inspect parts for dirt build-up. Periodic cleaning is necessary.

D/F MACHINE SPECIALTIES, INC.

MIG & TIG Welding Products, Consumables & Accessories

WARRANTY

This Equipment is sold by D/F MACHINE SPECIALTIES, Incorporated, under the warranty set forth in the following paragraph. Such warranty is extended only to the buyer who purchases the equipment directly from D/F or its authorized distributor as new merchandise.

The barrel and cable assemblies are warranted by D/F to be free from manufacturing defects for 90 days after delivery by D/F, provided that the equipment is properly operated under conditions of normal use and that regular periodic maintenance and service is performed. Expendable parts are not warranted for any specific time. Expendable parts referred to herein would be the nozzles, current tips, spatter discs, insulators, casing liners, and wire inlets. D/F's sole obligation under this warranty is limited to making replacement at its manufacturing facility for barrel assemblies which are returned to it with transportation charges prepaid, and upon D/F's examination have been found to be so defective.

Genuine D/F MACHINE SPECIALTIES, Inc. Parts, Accessories, and Consumables must be used for safety and performance reasons. The use of anything other than genuine D/F MACHINE SPECIALTIES, Inc. Parts, Accessories, or Consumables will void this Warranty. All units returned for warranty repair are subject to Warranty Inspection. Warranty and repair work shall not apply to goods that have been altered or repaired, have been subject to misuse or used while any parts are loose, broken, or damaged, or used with other than original D/F® parts, consumables, or accessories which may affect performance and safety.



Rev. 160817-1

D/F MACHINE SPECIALTIES, INC.

1750 Howard Drive

North Mankato, MN 56003

Phone: (507) 625-6200

Fax: (507) 625-6203

www.dfmachinespecialties.com